

Longarm Quilter Instruction Manual

**Nolting
Manufacturing, Inc.**

The Industry Standard
In Hand Guided Quilting Machines

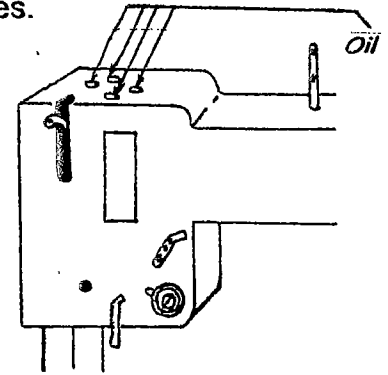
For The Hobbyist or the Professional

**Nolting Manufacturing Inc.
1265 Hawkeye Drive
Hiawatha, IA 52233
319-378-0999
319-378-1026**

UNCRATING & SETTING UP MACHINE*

Your Nolting Longarm Quilting Machine comes packed in two wooden crates. The long crate contains three fabric rollers, one batting roller, and two pieces of track material. The larger crate contains table top(s), two leg assemblies, two arm assemblies, one cross track, one box containing (the bobbin winder, 10 bobbins, 10 needles, more information, clamps with Velcro, oil, patterns, and any additional small items you may have ordered), and one large box containing your new longarm quilter. Open the crate carefully by cutting the banding, then removing the screws securing the top. Remove the large machine box. This box should be kept if possible, and should be used if your machine has to be shipped for repairs, or transported.

The handles need to be attached. The screws will be in the body of the machine. Be sure to fully insert electrical wire plugs when putting on handles.



LUBRICATION

Routine oiling and cleaning of your machine will insure top performance and many years of satisfied service to you. Get into the habit of taking care of your equipment and it will serve you well.

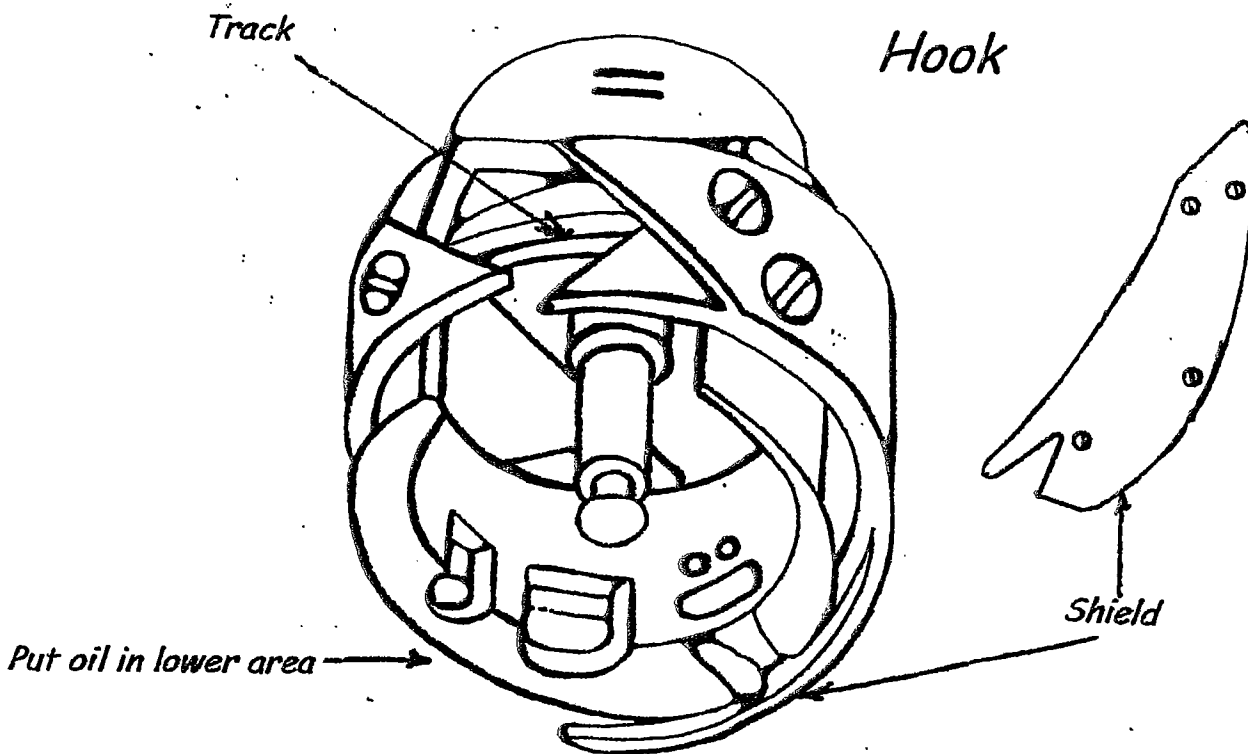
Use any good sewing machine oil. **DO NOT USE PENETRATING OIL.**

Oiling points are noted in red on the head of your machine (see fig.2). There are four (4) oiling points on the head of the Hobby Quilter, 18/8, 24/10, 30/12, and SMS 36. Apply 2 or 3 drops at each oiling point after 8 hours of sewing. If machine has set for weeks without being used, the oil it prior to putting it back into use. Setting for extended periods of time without being used allows the oil to drain off.

Remember, 2 or 3 drops at each point. Over oiling is not good, as it will cause lint to collect and gum up your machine. Underoiling will cause undue friction and wear reducing the life of your machine.... Remember, routine periodic oiling and cleaning is the answer to trouble free performance. It may help to keep a log of machine use hours between oilings.

OILING INSTRUCTIONS FOR HOOK ASSEMBLY

1. Remove bobbin case.
2. Blow out any lint or fuzz that may have accumulated.
3. Rotate hook assembly to put shield in lower position.
4. Drop oil into lower part of hook. (Make sure oil gets into track area.) See drawing. (Use #10 weight or lighter oil.)
5. Turn machine on without thread in needle. Then turn off.
6. Thread machine needle.
7. Replace bobbin case.
8. Put in scrap material. Sew on scrap. Allow to clean excess oil.
9. Oil the hook about every 8 hours of running use or a long period of sitting.

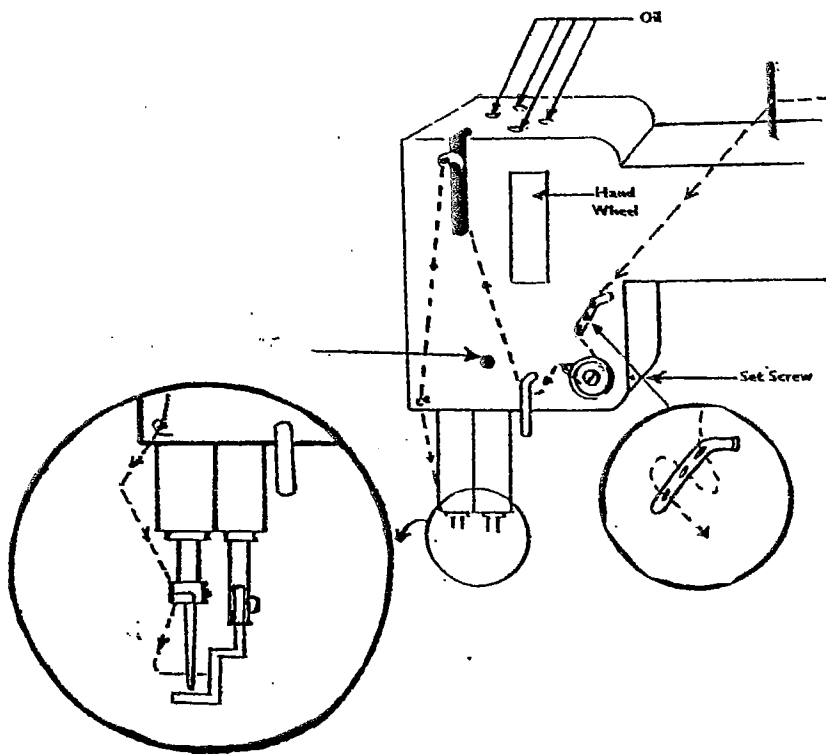


THREADING

Threading the machine is quite simple if you follow the diagram in Figure 2. It is important that the thread is completely in the tension discs or the upper tension will not function properly.

We recommend a good quality thread, one that will not fray, be used. Often times bargain priced threads are of poor quality resulting in machine problems or your work eventually falls apart.

Recommended threads: 100% Cotton 00/3

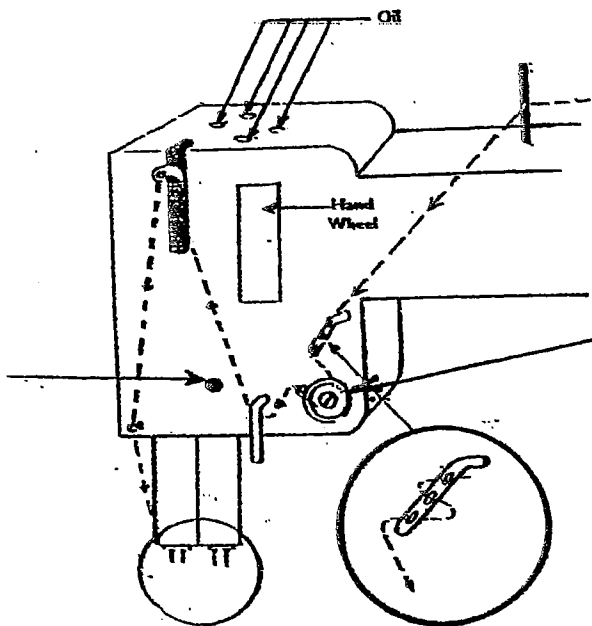


TENSION

Top thread tension should be as light as possible while still forming a stitch which interlocks the top and bottom threads in the center of the materials being sewn. Adjust as in the diagram.

The bobbin thread tension is adjusted as in the second diagram. It needs adjusting if you have changed to a different type or size of thread.

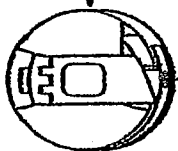
Most changes are made with the top tension.



*Turn clockwise to
Tighten tension*

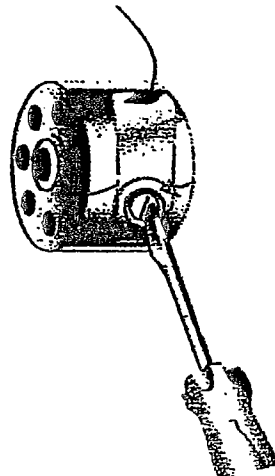
*Turn counter clockwise
To loosen tension*

Tension slot



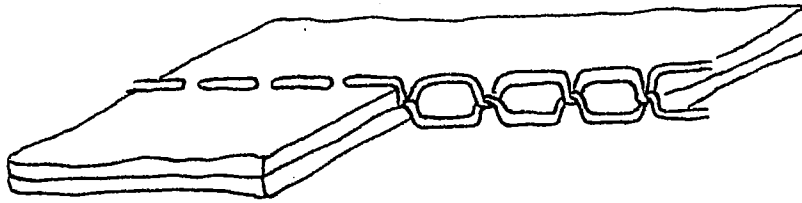
Tension
set screw

Bobbin Case

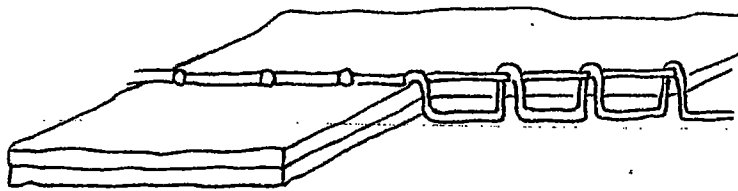


Turn screw to right to tighten tension.

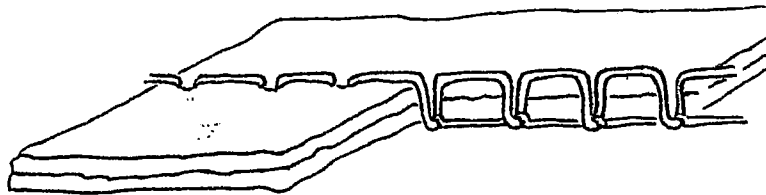
Adjusting Thread Tension



*A correct stitch is when they meet in the middle
Of the 3 layers of materials.*



*In this example the upper thread is too tight
And the lower thread is too loose.*



*In this example the upper thread is too loose
And the lower thread is too tight. You should
Have to make very few adjustments to the
Bobbin case tension unless you are changing to
Different weight threads frequently. Another
Thing that can mess up your bottom thread is
When the bobbin thread gets wrapped around
The lever on the bobbin case. This does happen.
When you pull up the lower thread to start
Your stitch, if you feel any resistance more
Than normal, stop and check it out.*

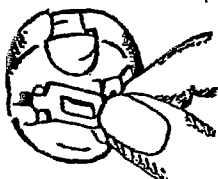
REMOVING & INSERTING BOBBIN CASE

1. Raise needle to highest point of stroke.
2. Open bobbin case latch and remove bobbin from hook.
3. Release the latch and bobbin will drop from the case.
4. Insert a full bobbin into the empty bobbin case.
5. Thread the bobbin case according to the diagram in.
6. Pull on the bobbin thread. The bobbin must turn clockwise. If it turns counter clockwise, remove the bobbin, turn it over and re-insert it in the case.

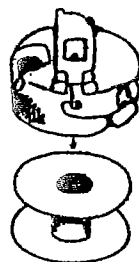
NOTE: The bobbin case will not latch firmly into the machine unless it is in the correct position.



Open Latch

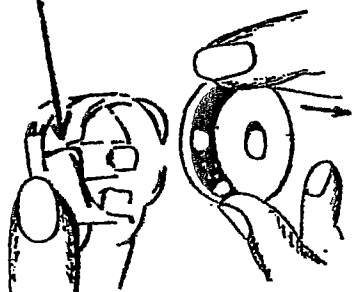


Hold latch and pull case from hook

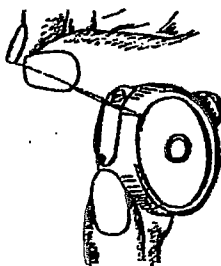


Release Latch Bobbin drops out.

Slot near top



Remember that the bobbin should turn clockwise when you pull on the thread.



Pull thread into slot

Delivery Eye



Turn bobbin case over. Draw thread Up and into delivery Eye.

SELECTING & ATTACHING NEEDLE

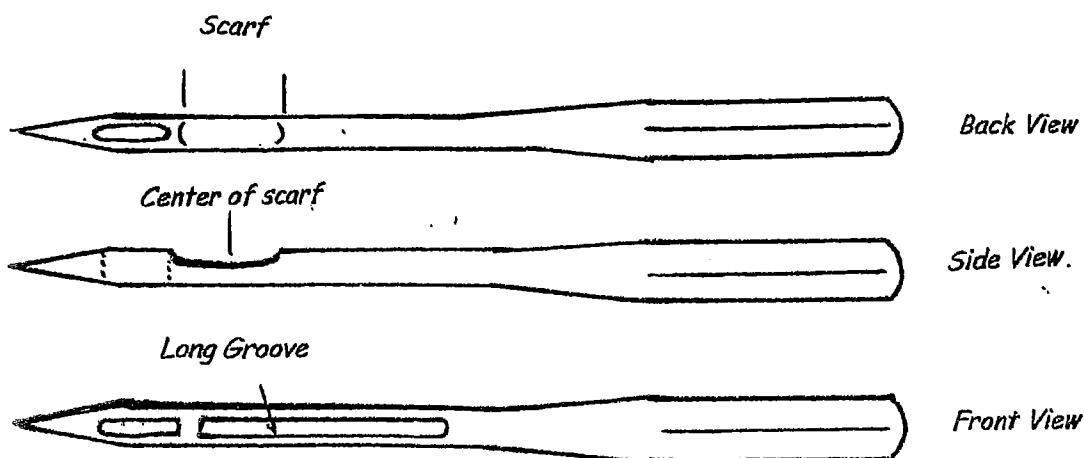
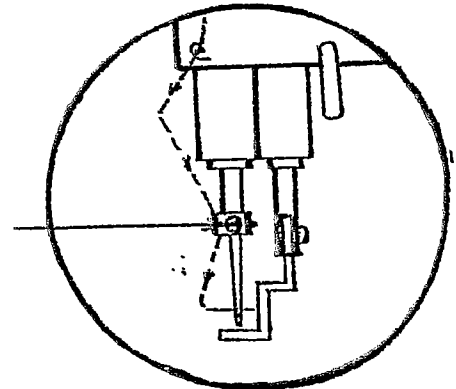
TURN POWER OFF BEFORE ATTACHING NEEDLE.

1. Turn hand wheel until needle reaches highest point of stroke.
2. Loosen screw on needle bar above needle.
3. Remove old or damaged needle.
4. Insert new needle, with long groove facing front and needle scarf facing body of machine (or away from you). See Needle Illustration.
5. Push needle up as far as it will go, and tighten screw.

Recommended needle size is 20's for most all fabrics.

Use only 135 x 7 industrial needles. Do not attempt to use needles from your domestic sewing machine as they will not work and may cause damage to your machine.

Loosen Screw to remove Needle



BEGINNING TO QUILT

Now that you have your fabric rolled onto the table, bring the machine onto the edge of the fabric. Take two or three stitches, (using the hand wheel or single stitch red button), to lock the stitches in place.

Now continue stitching, using the front of the machine for outline quilting or the back of the machine for pattern quilting. For pattern quilting, you will want to adjust your laser light to your pattern, allowing you to easily follow along.

Start the machine from right to left on pattern quilting side and from left to right on outline quilting side. Press black button on handle grips to turn on and press again to shut off. There is no need to hold the button down.

~~The Light Switch only turns light on. As a reminder for safety reasons, you have to shut off main switch on crosstrack to shut off light.~~

General Maintenance

To assure proper operation of your NOLTING long-arm quilting machine, we recommend that you keep the machine and table clean. This means that you should keep the wheels and tracks clean and free of oil and thread. Some people clean the wheels and track with rubbing alcohol then use a dry cloth to wipe off any excess or debris.

On the machine you may notice that the needle bar gets oily, you can clean this with a clean cloth, the oil comes from inside when you oil the wicks.

We recommend that you place a drop of oil in each wick located at the top of your machine (painted red) once every eight hours. Also, you should place a drop of oil in the bottom rail of your hook assembly once every eight hours. Then run the machine off to the side of your quilt so you don't get oil on it. Also wipe up any excess oil with a clean cloth.

Next clean any lint or fuzz from the bobbin case and hook area with compressed air. You may want to do this every couple of hours. This will increase the life of your bobbin case and hook assembly.

Also it is a good idea to warm up your quilting machine before you start to quilt each day because they will run a little looser when they are warm.

* QUILTING INSTRUCTIONS *

STEP 1

Thread the machine. Insert bobbin case so that the bobbin turns clockwise in the case when the thread is pulled.

STEP 2

Lay lining on the machine with right side facing the table, draping the fabric over roller (2) and (3). Next, place batting on top of the lining in the same manner. Now place fabric to be quilted on top of the batting and lining (right side facing you). Sandwich top, batting and lining together with edges matching and pin to roller (1) matching edges of top, batting and lining to edges of extended canvas on roller (1). Start by pinning at a convenient place at the right edge of canvas. Place pins horizontally along the edge of the canvas about ½ inch down. Place pins approximately a hand width apart, keeping them horizontal. For channel quilting, place pins closer. Keep the fabric taut but not tight enough to stretch the fabric. If material is too tight, it will cause thread breakage and/or skip stitches.

STEP 3

Unroll canvas on roller (3) and bring under roller (2). Pin lining to roller (3-Lining roller), keeping fabric taut but not tight. Measure from the edge of the bar on roller (3) and measure at the edge of the bar on roller (2) and start pinning at the same place. Roll lining fabric smoothly onto roller, but do not pull taut between rollers at this time. Bring batting up between rollers (2) and (3), allowing batting to hang over roller (3). Pin quilt top to roller (2) in the same manner as before. Roll quilt top onto roller (2), keeping it smooth and straight. Roll lining until smooth and taut between rollers....adjust batting and roll top fabric until it is taut between rollers.

There should be the same amount of tension on the lining fabric as there is on the top fabric....taut but not so tight that it distorts the fabric.

Attach edge clamp to center of edges (between rollers) and using velcro, adjust to hold edges of fabric taut but not tight.

